

600V/20A IGBT IPM DIP-24H 三相全桥驱动智能功率模块

Features

- Low-Loss, Short-Circuit Rated IGBTs
- Integrated high voltage gate drive circuit (HVIC)
- Built-in under voltage protection and over temperature, Over current protection and temperature output
- Insulation class 1500Vrms / min
- High reliability and thermal stability, good parameter consistency
- Compatible with 3.3V & 5V input signal, effective at high level

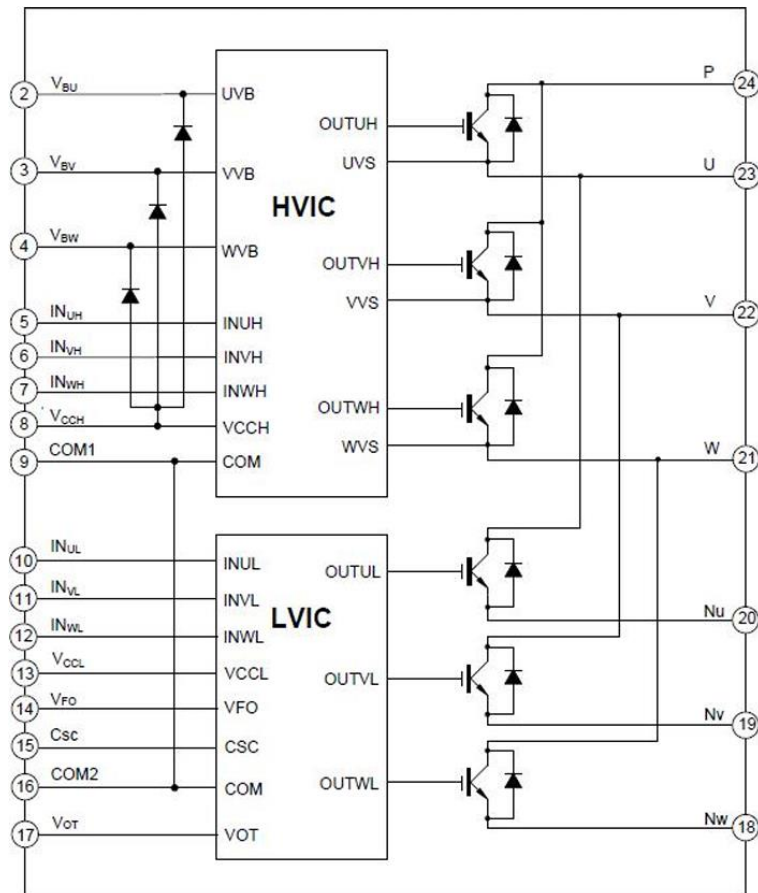


DIP-24H

Applications

- Air conditioning compressor
- Refrigerator compressor
- Frequency converter
- Air cleaner

Internal Electrical Schematic



Absolute Maximum Ratings: $T_J = 25^\circ\text{C}$, unless otherwise noted

Parameter	Symbol	Value	Unit
Inverter Part			
Supply Voltage	V_{PN}	450	V
Supply Voltage (surge)	$V_{PN(surge)}$	500	V
Collector – Emitter Voltage	V_{ce}	600	V
Each IGBT Collector Current, $T_C = 25^\circ\text{C}$, $T_J \leq 150^\circ\text{C}$	I_C	20	A
Each IGBT Collector Current (Peak), $T_C = 25^\circ\text{C}$, $T_J \leq 150^\circ\text{C}$	I_{CP}	40	
Power dissipation per 1 chip $T_C=25^\circ\text{C}$	P_D	53	W
Control Part			
Control Supply Voltage	V_{CC}	20	V
High-Side Control Bias Voltage	V_{BS}	20	V
Input Signal Voltage	V_{IN}	-0.3~ $V_{CC}+0.3$	V
Fault Output Supply Voltage	V_{FO}	-0.3~ $V_{CC}+0.3$	V
Operating junction temperature	T_J	-40 to 150	$^\circ\text{C}$
Storage temperature range	T_{STG}	-40 to 125	$^\circ\text{C}$
Single IGBT thermal resistance, junction-case	$R_{\theta JCB}$	1.89	$^\circ\text{C}/\text{W}$
Single FRD thermal resistance, junction-case	$R_{\theta JCF}$	2.35	$^\circ\text{C}/\text{W}$
Isolation test voltage (1min, RMS, $f = 60\text{Hz}$)	V_{ISO}	1500	Vrms

Note: The maximum junction temperature of the power chips is 150°C . To ensure the safe operation of DIIPM, it is recommended that the average junction temperature should be limited to $T_J \leq 125^\circ\text{C}$ (@ $T_C \leq 100^\circ\text{C}$)

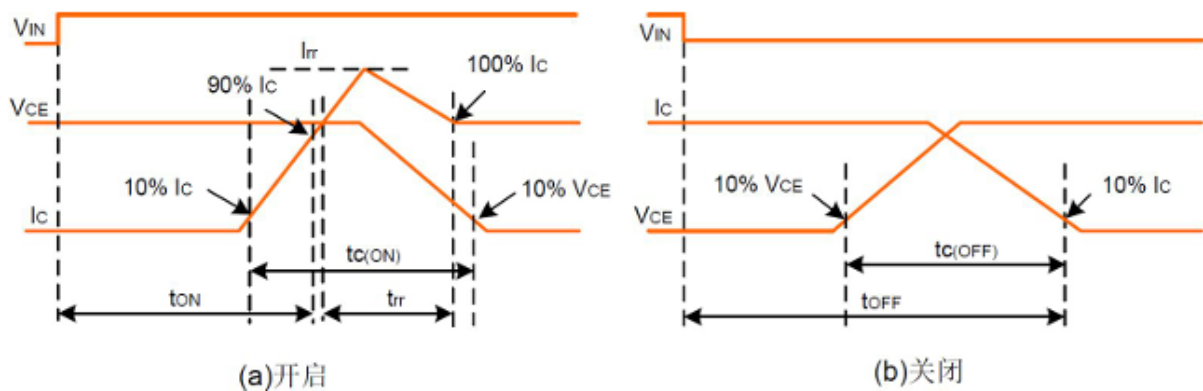
Recommended Operation Conditions: $T_J = 25^\circ\text{C}$, unless otherwise noted

Parameter	Symbol	Value			Unit
		Min.	Typ.	Max.	
Supply Voltage	V_{PN}	-	300	400	V
Control supply voltage	V_{CC}	13.2	-	20	V
High side control voltage	V_{BS}	13.0	-	20	V
High side grid output voltage	V_{HO}	VS	-	VB	V
Low side grid output voltage	V_{LO}	VSS	-	VCC	V

Electrical Characteristics (unless otherwise noted, $T_j=25^\circ\text{C}$, $V_{CC}=V_{BS}=15\text{V}$)

Inverter Part

Parameter	Symbol	Condition	Value			Unit
			Min.	Typ.	Max.	
Collector - Emitter Saturation Voltage	$V_{CE(SAT)}$	$V_{CC}=V_{BS}=15\text{V}$, $V_{IN}=5\text{V}$ $I_C=20\text{A}$	-	1.7	2.2	V
FRD Forward Voltage	V_F	$V_{IN}=0\text{V}$, $I_F=20\text{A}$	-	1.6	2.2	V
High Side	t_{on}	$V_{PN} = 300\text{V}$, $V_{CC} = V_{BS} = 15\text{V}$, $I_C = 20\text{A}$, $V_{IN} = 0\text{V} \leftrightarrow 5\text{V}$, Inductive load	-	709	-	ns
	t_r		-	39	-	ns
	t_{off}		-	669	-	ns
	t_f		-	57	-	ns
	t_{rr}		-	170	-	ns
Low Side	t_{on}	$V_{PN} = 300\text{V}$, $V_{CC} = V_{BS} = 15\text{V}$, $I_C = 20\text{A}$, $V_{IN} = 0\text{V} \leftrightarrow 5\text{V}$, Inductive load	-	843	-	ns
	t_r		-	114	-	ns
	t_{off}		-	697	-	ns
	t_f		-	44	-	ns
	t_{rr}		-	192	-	ns
Collector - Emitter Leakage Current	I_{CES}	$V_{CE}=600\text{V}$	-	-	250	μA


Figure 1. Switching Time Definition

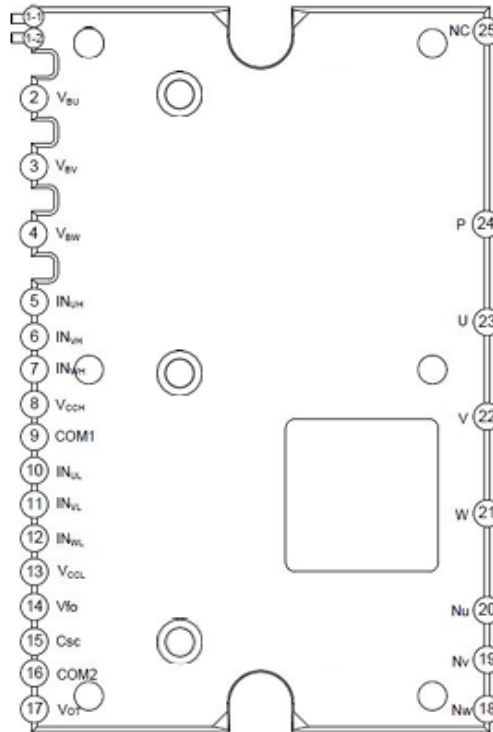
Control Part

Parameter	Symbol	Condition	Value			Unit	
			Min.	Typ.	Max.		
Quiescent V_{CC} supply current	I_{OCC}	$V_{CC}=15V, V_{IN}=0V$	-	-	3.5	mA	
Quiescent V_{BS} supply current	I_{OBS}	$V_{BS}=0V, V_{IN}=0V$	-	75	-	uA	
Fault Output Voltage	V_{FOH}	$V_{SC} = 0V, V_F$ Circuit: 10k Ω to 5V Pull-up	4.9	-	-	V	
	V_{FOL}	$V_{SC}=1V, I_{FO}=1mA$	-	-	0.9	V	
Fault-Out Pulse Width	t_{FO}	Fault duration	40	-	-	us	
Short-Circuit Trip Level	$V_{SC(ref)}$	$V_{CC}=15V$	0.42	0.46	0.51	V	
Over temperature protection	OT_t	LVIC temperature	100	120	140	$^{\circ}C$	
Over temperature protection hysteresis	OT_{th}	LVIC Temperature Hysteresis	-	10	-	$^{\circ}C$	
Temperature Output	VOT	LVIC Temperature= $25^{\circ}C$	0.88	1.13	1.39	V	
		LVIC Temperature= $90^{\circ}C$	2.63	2.77	2.91	V	
Low side undervoltage protection Figure 5	UV_{Dt}	Detection level	10	11	12	V	
	UV_{Dr}	Reset level	9	10	11	V	
High side undervoltage protection Figure 6	UV_{DBt}	Detection level	10	11	12	V	
	UV_{DBr}	Reset level	9	10	11	V	
ON Threshold Voltage	V_{IH}	Logic high level	Between input and COM	-	-	2.5	V
OFF Threshold Voltage	V_{IL}	Logic low level		0.8	-	-	V

Bootstrap diode section

Parameter	Symbol	Condition	Value			Unit
			Min.	Typ.	Max.	
Forward voltage	V_F	$I_F=10mA, T_c=25^{\circ}C$	-	2.5	4.0	V
Reverse recovery time	t_{TR}	$I_F=10mA, T_c=25^{\circ}C$	-	50	-	ns

Pin Assignment



Pin Description

Pin Number	Pin name	Pin Description
1-1	COM	Internal common ground terminal
1-2	V _{CC}	Internal power terminal, No Connection
2	V _{BU}	U-phase high side floating IC supply voltage
3	V _{BV}	V-phase high side floating IC supply voltage
4	V _{BW}	W-phase high side floating IC supply voltage
5	I _{NUH}	U-phase high side gate driver input
6	I _{NVH}	V-phase high side gate driver input
7	I _{NWH}	W-phase high side gate driver input
8	V _{CCH}	High side gate drive supply voltage
9	COM ₁	Module common ground
10	I _{NUL}	U-phase low side gate driver input
11	I _{NVL}	V-phase low side gate driver input
12	I _{NWL}	W-phase low side gate driver input
13	V _{CCL}	low side gate drive supply voltage
14	V _{FO}	Fault Output
15	Csc	External capacitor, used for short-circuit current detection input and low-pass filtering
16	COM ₂	Module common ground
17	V _{OT}	Temperature output terminal

18	NW	W-phase DC negative terminal
19	NV	V-phase DC negative terminal
20	NU	U-phase DC negative terminal
21	W	Output for W Phase
22	V	Output for V Phase
23	U	Output for U Phase
24	P	Positive DC-Link Input
25	NC	No Connection

Temperature output function description

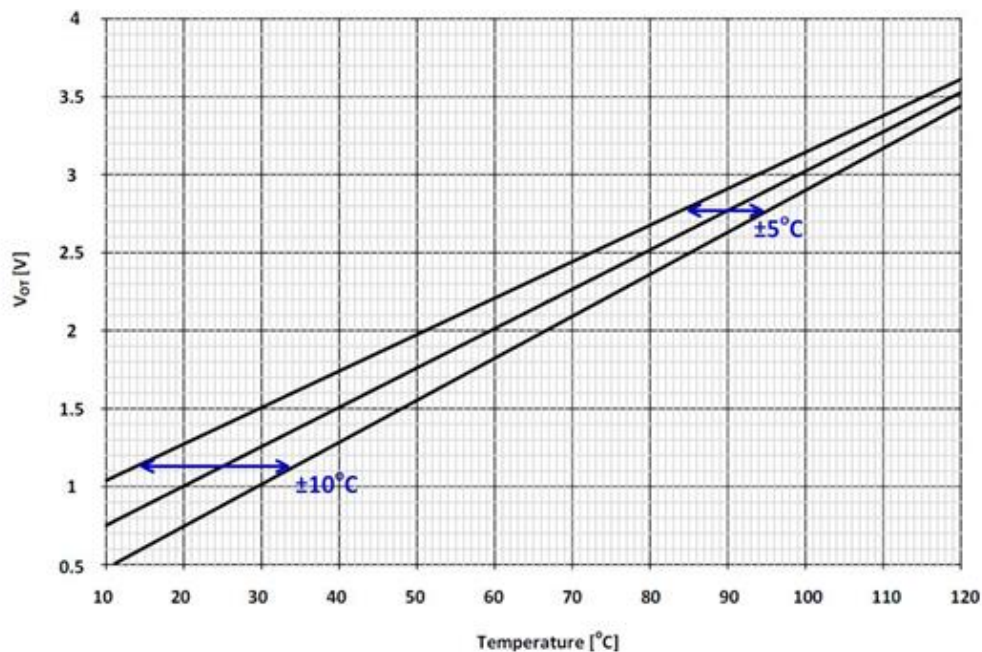


Figure 2. LVIC Temperature - VOT Temperature Characteristics

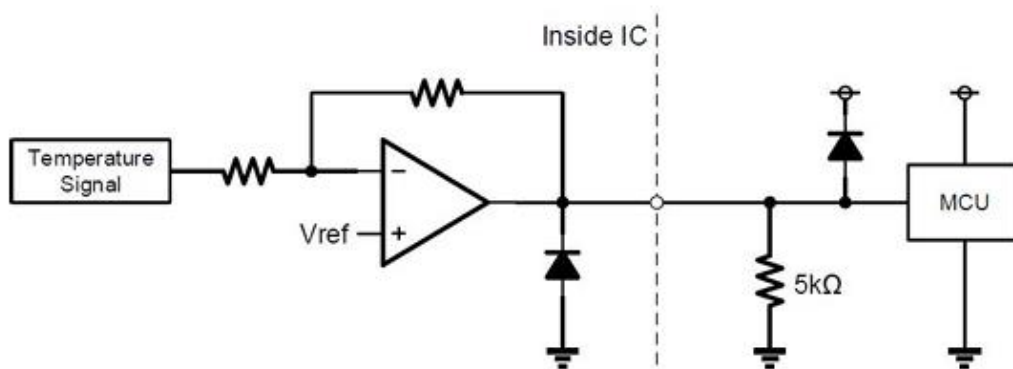


Figure 3. VOT Output Circuit

- (1) If the temperature monitoring function is used, 5kΩ is connected to the VOT pin, the internal OTP function is ignored. If the internal over temperature shut-down function is used, keep the VOT pin open (no connection).
- (2) When the IPM is used for low-voltage control (for example, the working voltage of MCU is 3.3V), the VOT output voltage may be 3.3V higher than the control power supply voltage when the temperature rises sharply. If the system is used for low-voltage control, it is recommended to connect a clamping diode between the control power supply and the VOT output signal to prevent overvoltage damage.

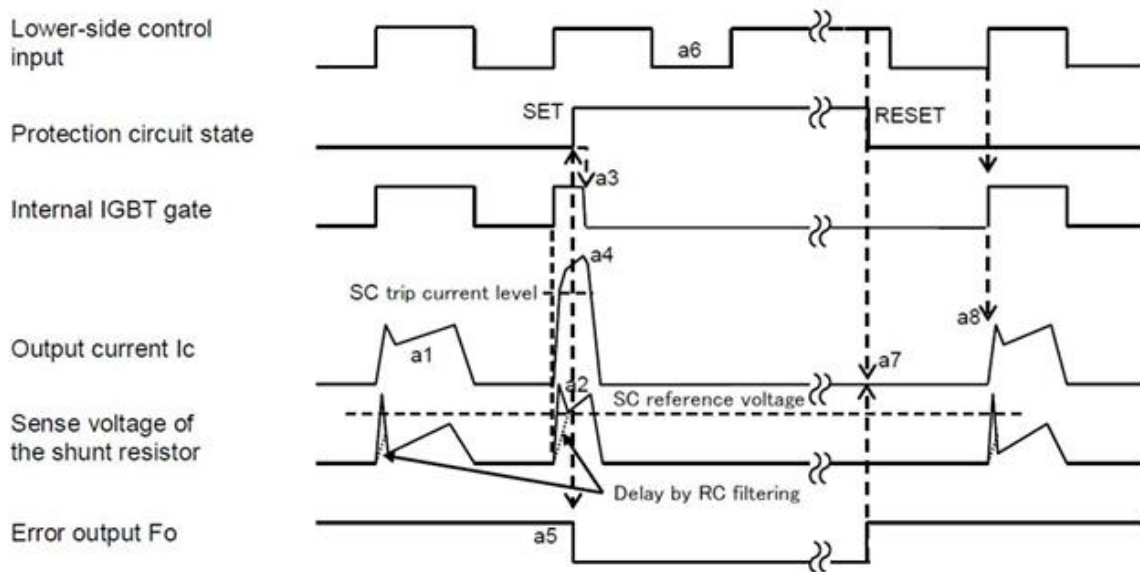


Figure 4. Short circuit current protection (low side only)

Short circuit protection (including external shunt resistor and RC filter).

a1: Normal operation: IGBT ON and outputs current.

a2: Short circuit current detection (short circuit triggering).

a3: All low side IGBT's gates are hard interrupted.

a4: All low side IGBTs are turned off.

a5: Fault output pin outputs a fixed pulse width signal ($t_{FO} \geq 40\mu s$).

a6: Input is "L": IGBT off state.

a7: Input is "H": although the input is "H", there is a fault output signal during this period, and IGBT is still in the off state.

a8: Normal operation: IGBT ON and outputs current.

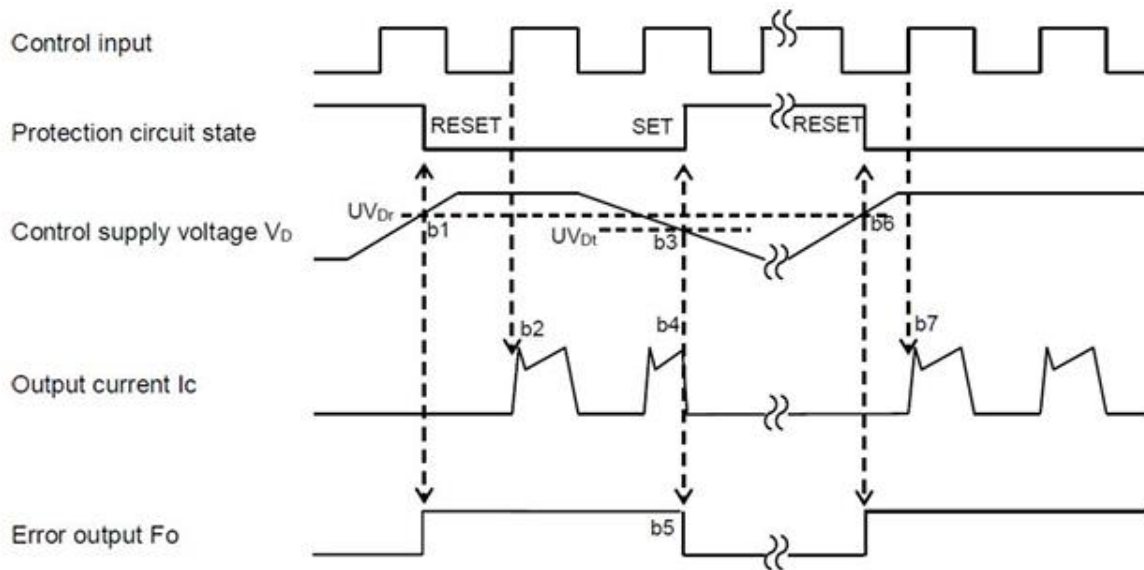


Figure 5. Under voltage protection (low side)

b1: Control supply voltage V_D exceeds under voltage reset level UV_{Dr} , and the circuit starts to work when the next input waveform arrives.

b2: Normal operation: IGBT ON and outputs current.

b3: V_D level drops under voltage trip level (UV_{Dt}).

b4: All low side IGBTs turn off in spite of control input condition.

b5: FO pin outputs fault signal ($t_{FO} \geq 40\mu s$, and continuously outputs fault signal during under voltage).

b6: V_D level reaches UV_{Dr} .

b7: Normal operation: IGBT ON and outputs current.

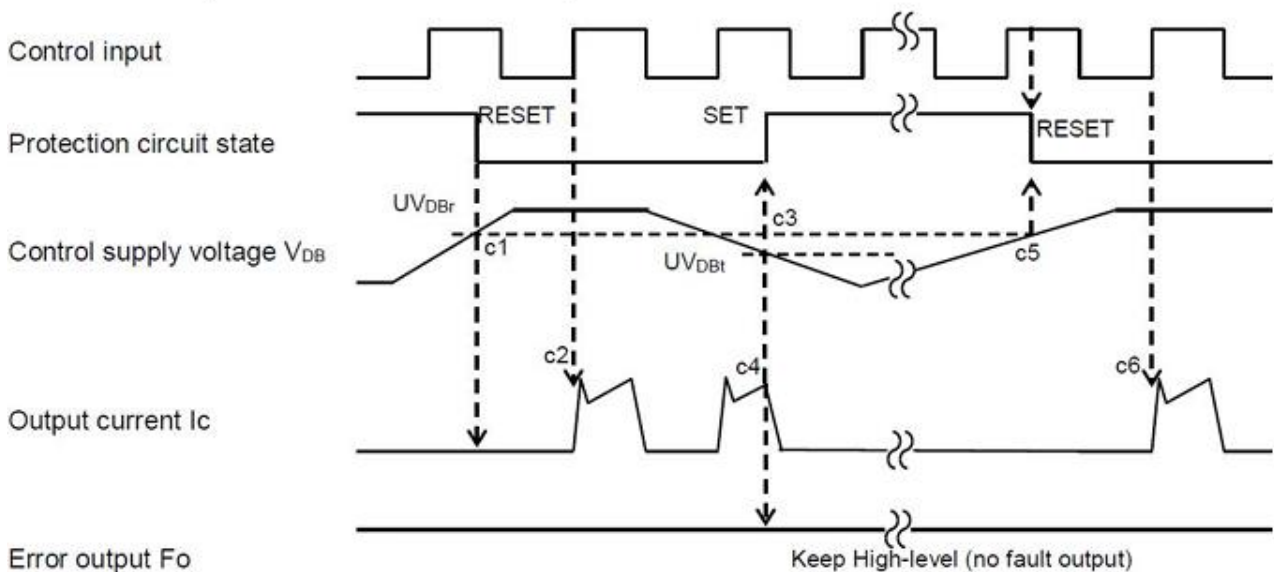


Figure 6. Under voltage protection (High side)

- c1: Control supply voltage V_{DB} rises to UV_{DBR} , and the circuit starts to work when the next input signal arrives.
 c2: Normal operation: IGBT ON and outputs current.
 c3: V_{DB} level drops to under voltage trip level (UV_{DBT}).
 c4: No matter what signal input, IGBT is turned off, but there is no fault signal output.
 c5: V_{DB} level reaches UV_{DBR} .
 c6: Normal operation: IGBT ON and outputs current.

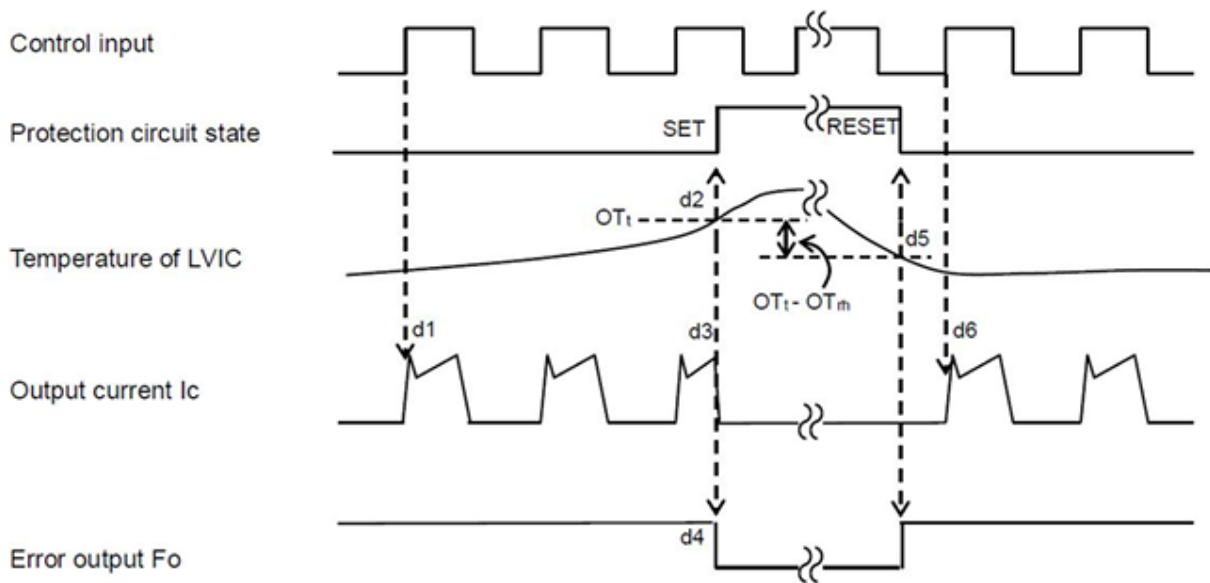
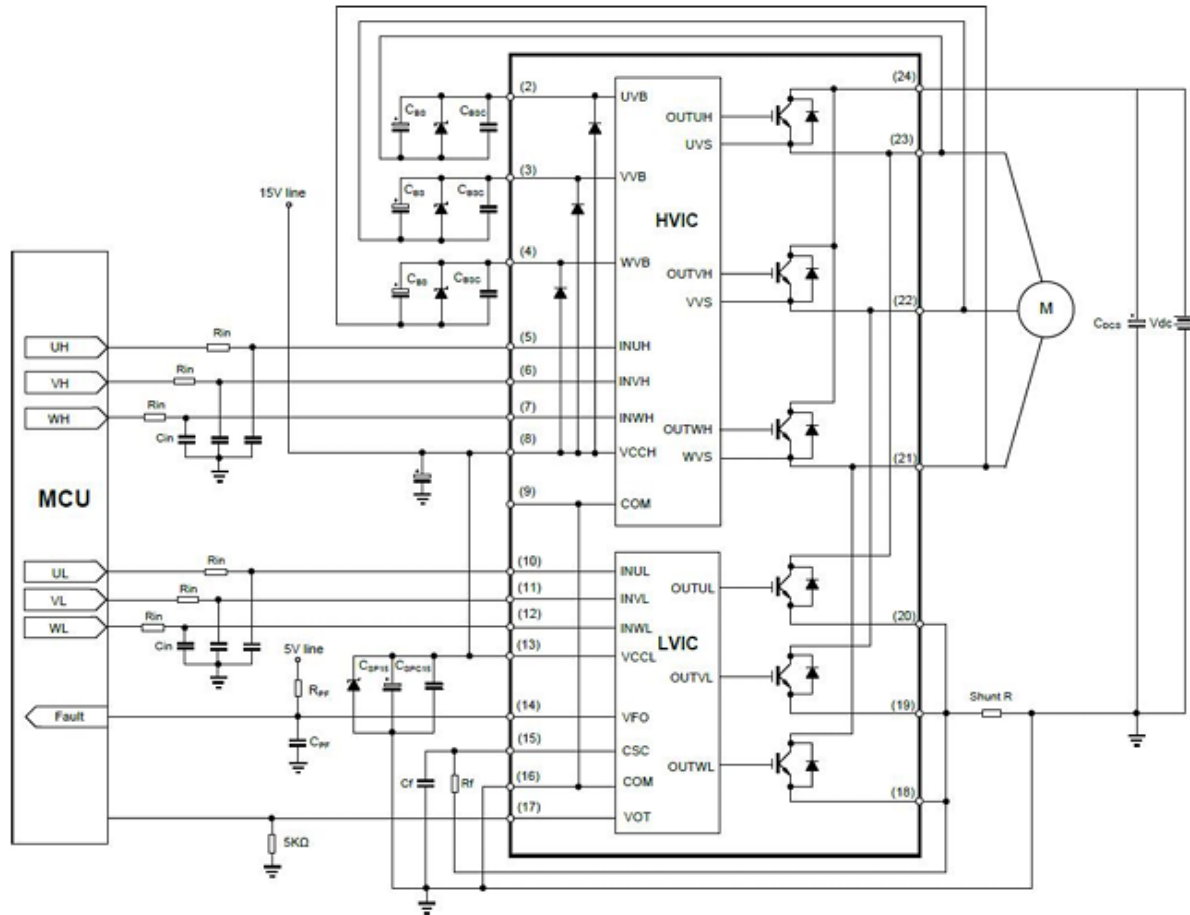


Figure 7. Over Temperature protection (low side only)

- d1: Normal operation: IGBT ON and outputs current.
 d2: LVIC temperature exceeds the over temperature protection trigger level(OT_t).
 d3: All low side IGBTs are turned off in spite of control input condition.
 d4: Continuously output fault signal during overtemperature, and the minimum pulse width is 40us.
 d5: The LVIC will reset when the temperature is lower than the over temperature protection level.
 d6: IGBT turns on when the next input signal control signal comes.

Typical Application Schematic:

Remarks:

- (1) The wiring of each input pin shall be as short as possible, otherwise it may cause mis operation;
- (2) The input signal is active at high level, and a 5KΩ pull-down resistor is connected to the ground at the input end of each channel of HVIC; In addition, RC filter circuit can be added at the input end to prevent surge noise caused by incorrect input;
- (3) To prevent surge damage, it is recommended to add a high-frequency non inductive smoothing capacitor (0.1μF~0.22μF) between P and N, the connecting wire of capacitor shall be as short as possible;
- (4) The connection between the current detection resistor and the IPM should be as short as possible, otherwise the large surge voltage generated by connecting the inductor may cause damage;
- (5) It is recommended that the filter capacitance at the input end of 15V power supply be at least 7 times the bootstrap capacitance CBS;
- (6) Each external capacitor shall be placed as close to the IPM pin as possible;
- (7) If the V_{FO} output is open circuit, it should be pulled up to the 5V power supply through resistance to make I_{fo} 1mA;
- (8) In the short-circuit protection circuit, please select a time constant of 1.5~2μs and the wiring around the RF and CSC should be as short as possible. RF wiring shall be close to shunt resistor.

Package Outline DIP24

